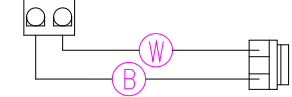
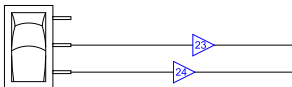


High-Limit LED must be installed as shown (w/ lower pins)

12V Light (White 2-Pin)



ON



OFF

**SYSTEM FUSE**

RED INDICATOR LIGHT



**HIGH-LIMIT**

RED INDICATOR LIGHT



**PUMP 1 FUSE**

RED INDICATOR LIGHT



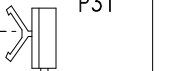
**PUMP 2 FUSE**

RED INDICATOR LIGHT

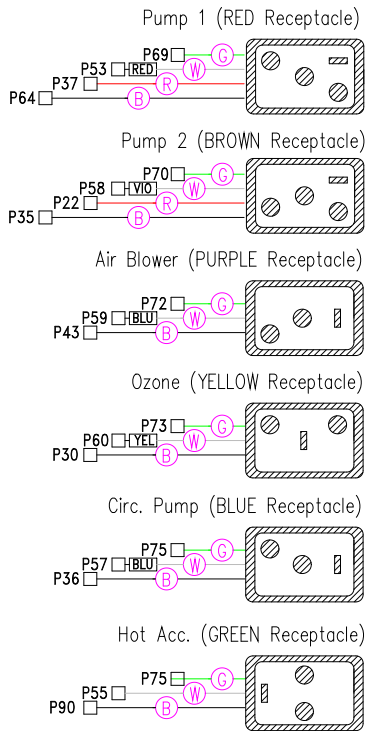
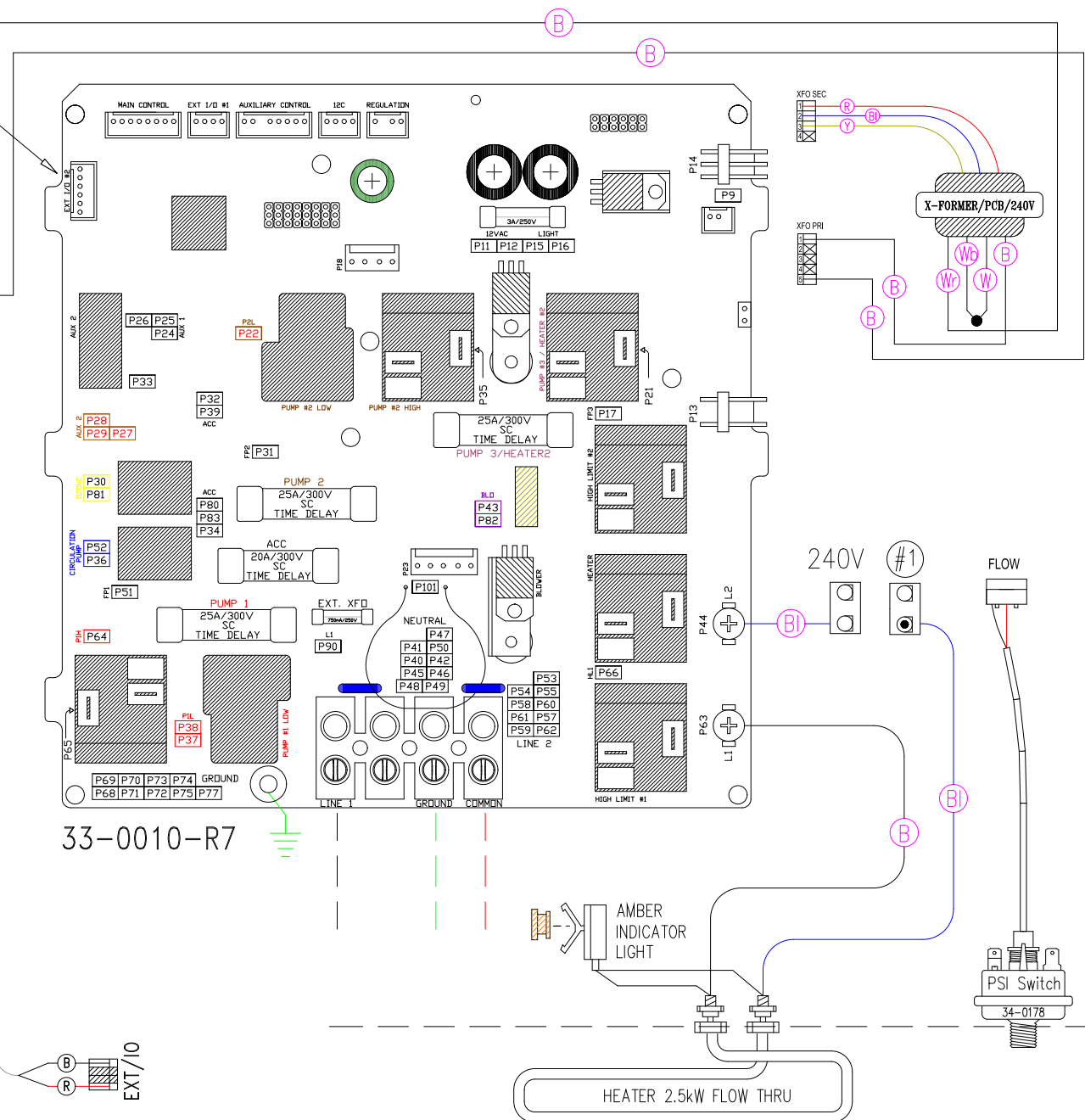


**AIR/CIRC/ BLOWER FUSE**

RED INDICATOR LIGHT



33-0010-R7



**HYDRO-QUIP**  
CORONA, CA (909) 273-7575

Manufacture Notes: EX: RED - DENOTES THE COLOR OF HEAT SHRINK USED.

Dwg. No. **C5S56A0-DKMPQZY**

Drawn BH  
Date 07.20.05  
Diagram No. **6410**

Rev 1  
**Wire Color Code**  
B - Black G - Green  
Br - Brown Bl - Blue  
R - Red V - Violet  
O - Orange W - White  
Y - Yellow Gr - Gray